

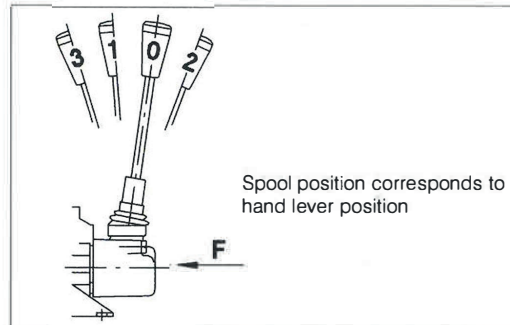
Wegeventile Baureihe HDS (230211)

Distributeurs série HDS

10.9 Spool actions

Spool position				Stroke mm	Type	Code
3	1	0	2			
	○	*	○	7.5	01	200.9686.1002.0
	●	●	○	7.5	02	200.9686.3002.0
	●	●	●	7.5	03	200.9686.2002.0
		●	●	7.5	05	200.9686.2004.0
	*		○	15	06	200.9686.1004.0
	●	●		7.5	07	200.9686.2007.0
	○	*		7.5	09	200.9686.1011.0
	●		●	15	11	200.9686.2009.0
	○	●	●	7.5	19	200.9686.3008.0
	○	*	○	7.5	24	200.9686.5013.0
	○	*	○	7.5	31	200.9686.1054.0
	○	*	○	7.5	46	200.9686.1076.0
	○	*	○	7.5	47	200.9686.1078.0
	○	*	○	7.5	50	200.9686.5020.0
	○	*	○	7.5	56	200.9686.1086.0
	○	*	○	7.5	83	200.9686.1096.0
●	○	*	○	5 - 7 - 7	128	200.9686.4009.0

- * Initial hand lever position
- Hand lever in detent position
- Spring return position of hand lever

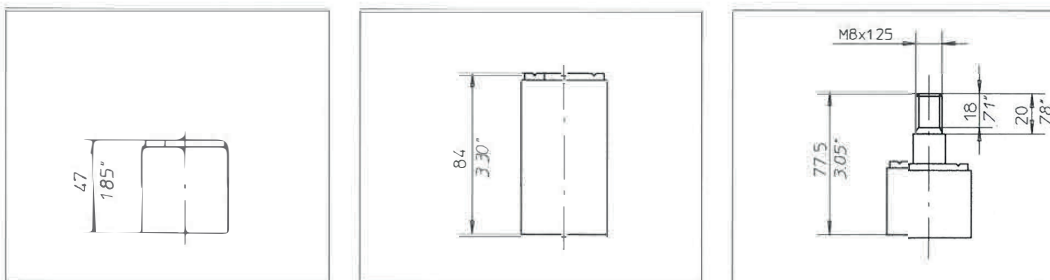


F (N) = force in Newton (N) needed to operate the spool

F (N)	Spool position control type
350	01 (standard)
280	56

Note: consult factory for different configurations.

10.9.1 Spool positioners dimensions



Spool positioners: 01 - 02 - 03 - 05 - 06 07 - 09 - 11 - 19 - 56	Spool positioner: 128 (Z spool type)	Spool positioner: 83
--	---	--------------------------------

10.9.2 Microswitch control

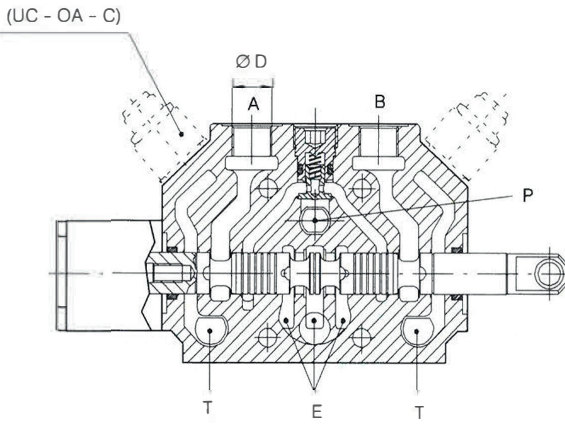
Type 31	Microswitch is operated when the spool is in pos. 1 and 2		<p>The microswitch is supplied only on customer's request.</p>
Type 46	Microswitch is operated when the spool is in pos. 1		
Type	Microswitch is operated when the spool is pos. 2		

Wegeventile Baureihe HDS (230269)

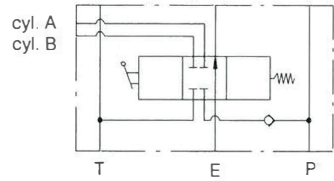
Distributeurs série HDS

10.6 Sectional bodies

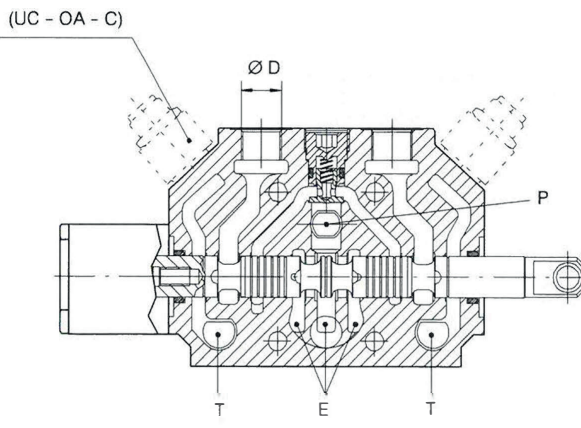
10.6.1 Standard circuit: parallel



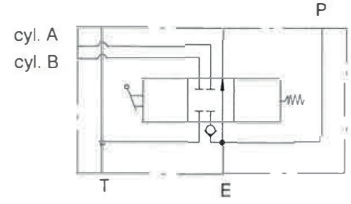
Ø D	Type/Code	
	Standard	Section with valve UC - OA - C
M18X1.5	K01 200.9415.1002.0	K05 200.9415.1003.0
1/2" BSP std	K02 200.9415.3007.0	K06 200.9415.3008.0
SAE 10	K04 200.9415.8002.0	K08 200.9415.8003.0



10.6.2 Optional circuit: series and tandem



Ø D	Type/Code	
	Standard	Section with valve UC - OA - C
M18X1.5	K46 200.9415.1004.0	K50 200.9415.1005.0
1/2" BSP std	K47 200.9415.3009.0	K51 200.9415.3010.0
SAE10	K49 200.9415.8004.0	K53 200.9415.8005.0



Wegeventile Baureihe HDS (230269)

Distributeurs série HDS

6.1 Standard circuit: parallel

Ø D	Type/Code	
	Standard	Section with valve UC - OA - C
M18X1.5	K01 200.9415.1002.0	K05 200.9415.1003.0
1/2" BSP std	K02 200.9415.3007.0	K06 200.9415.3008.0
SAE 10	K04 200.9415.8002.0	K08 200.9415.8003.0

6.2 Optional circuit: series and tandem

Ø D	Type/Code	
	Standard	Section with valve UC - OA - C
M18X1.5	K46 200.9415.1004.0	K50 200.9415.1005.0
1/2" BSP std	K47 200.9415.3009.0	K51 200.9415.3010.0
SAE10	K49 200.9415.8004.0	K53 200.9415.8005.0

Wegeventile Baureihe HDS (230269)

Distributeurs série HDS

10.7 Spool charts

Spool scheme	Spool features	Type
	3 way - 3 position A: blocked E: open by pass	S SS*
	4 way - 3 position A/B: blocked E: open by pass	AS*
	4 way - 3 position A/B: blocked E: closed	B
	4 way - 3 position A/B: to tank in neutral E: open by pass	C CS*
	4 way - 3 position A: blocked B: to tank in neutral	D
	3 way - 3 position B: blocked E: open by pass	G GS*
	4 way - 3 position B: blocked A: to tank in neutral	L
	4 way - 3 position with regenerative spool in 2 nd pos	R**
	4 way - 4 position 4 th float position	Z
	4 way - 3 position A/B: blocked Load Sensing	LSA**
	4 way - 3 position A/B: to tank in neutral Load Sensing	LSC**
	3 way - 3 position B: blocked Load Sensing	LSG**
	3 way - 3 position A: blocked Load Sensing	LSS**

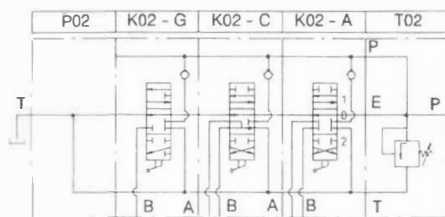
** special body required

* high metering spool (max flow suggested 50 l/min)

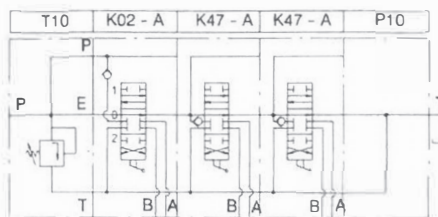
Note: For availability of LS versions please contact our Sales Department

10.8 Hydraulic circuits

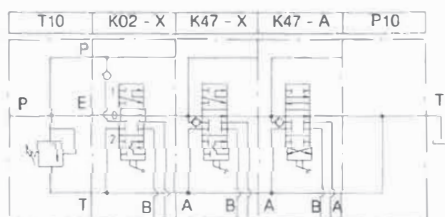
10.8.1 Standard parallel circuit



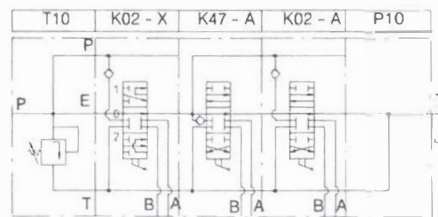
10.8.3 Optional tandem circuit



10.8.2 Optional series circuit



10.8.4 Combined parallel/series circuit



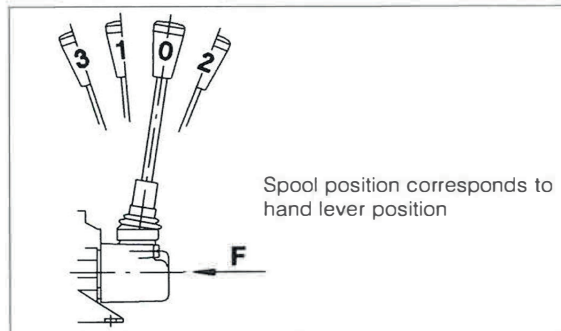
Wegeventile Baureihe HDS (230270)

Distributeurs série HDS

9 Spool actions

3	Spool position			Stroke mm	Type	Code
	1	0	2			
○	*	○	7.5	01	200.9686.1002.0	
●	●	○	7.5	02	200.9686.3002.0	
●	●	●	7.5	03	200.9686.2002.0	
	●	●	7.5	05	200.9686.2004.0	
*		○	15	06	200.9686.1004.0	
●	●		7.5	07	200.9686.2007.0	
○	*		7.5	09	200.9686.1011.0	
●		●	15	11	200.9686.2009.0	
○	●	●	7.5	19	200.9686.3008.0	
○	*	○	7.5	24	200.9686.5013.0	
○	*	○	7.5	31	200.9686.1054.0	
○	*	○	7.5	46	200.9686.1076.0	
○	*	○	7.5	47	200.9686.1078.0	
○	*	○	7.5	50	200.9686.5020.0	
○	*	○	7.5	56	200.9686.1086.0	
○	*	○	7.5	83	200.9686.1096.0	
○	*	○	5 - 7 - 7	128	200.9686.4009.0	

- * Initial hand lever position
- Hand lever in detent position
- Spring return position of hand lever



F (N) = force in Newton (N) needed to operate the spool

F (N)	Spool position control type
350	01 (standard)
280	56

Note: consult factory for different configurations.

9.1 Spool positioners dimensions

<p>Spool positioners: 01 - 02 - 03 - 05 - 06 07 - 09 - 11 - 19 - 56</p>	<p>Spool positioner: 128 (Z spool type)</p>	<p>Spool positioner: 83</p>

9.2 Microswitch control

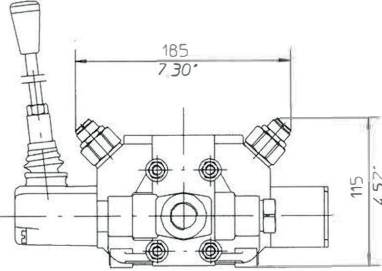
Type 31	Microswitch is operated when the spool is in pos.1 and 2	
Type 46	Microswitch is operated when the spool is in pos.1	
Type 47	Microswitch is operated when the spool is pos.2	

The microswitch is supplied only on customer's request.

Wegeventile Baureihe HDS (230270)

Distributeurs série HDS

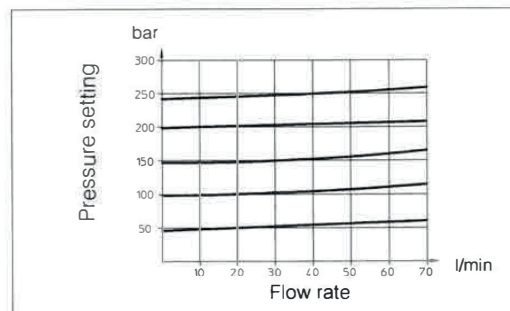
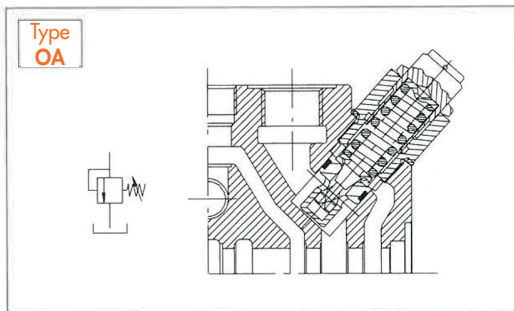
10.11 Anti-shock and anti-cavitation valves



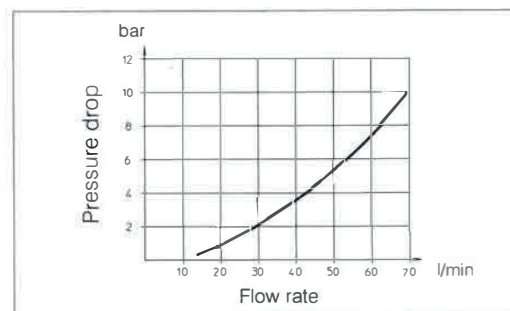
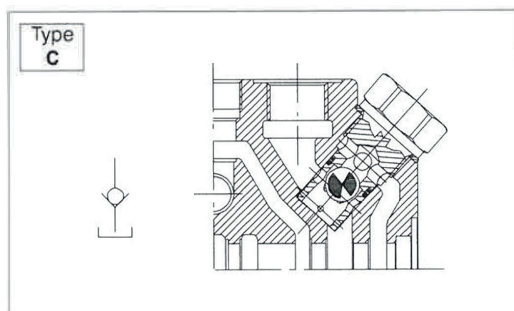
Port relief valve settings

Pressure set range bar (PSI)	Std. setting bar (PSI)	Type	Spring colour
30 - 95 (400 - 1300)	60 (860)	06	Yellow (YE)
96 - 210 (1300 - 3000)	150 (2100)	15	Green (GR)
211 - 320 (3000 - 4600)	260 (3700)	26	Blue (BL)

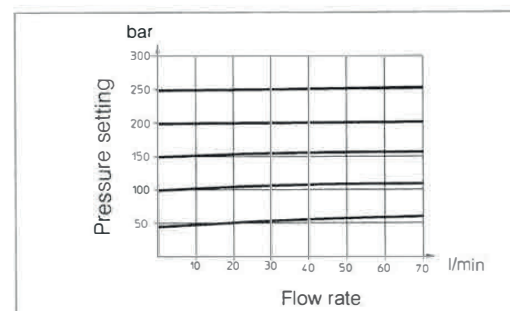
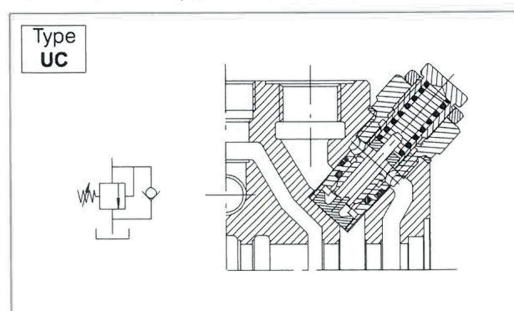
10.11.1 Port relief valve



10.11.2 Anti-cavitation valve



10.11.3 Combined port relief and anti-cavitation valve



Wegeventile Baureihe HDS (230270)

Distributeurs série HDS

10.7 Spool charts

Spool scheme	Spool features	Type		
	3 way - 3 position A: blocked E: open by pass	S SS*		4 way - 3 position A/B: blocked series connection
	4 way - 3 position A/B blocked E: open by pass	A AS*		4 way - 3 position A/B: blocked E: closed
	4 way - 3 position A/B blocked E: closed	B		4 way - 3 position A/B to tank in neutral E: open by pass
	4 way - 3 position A/B to tank in neutral E: open by pass	C CS*		4 way - 4 position 4 th float position
	4 way - 3 position A: blocked B: to tank in neutral	D		4 way - 3 position A/B: blocked Load Sensing
	3 way - 3 position B: blocked E: open by pass	G GS*		4 way - 3 position A/B: to tank in neutral Load Sensing
	4 way - 3 position B: blocked A: to tank in neutral	L		3 way - 3 position B: blocked Load Sensing
	4 way - 3 position with regenerative spool in 2 nd pos	R**		3 way - 3 position A: blocked Load Sensing

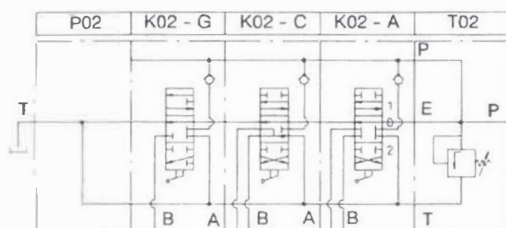
** special body required

* high metering spool (max flow suggested 50 l/min)

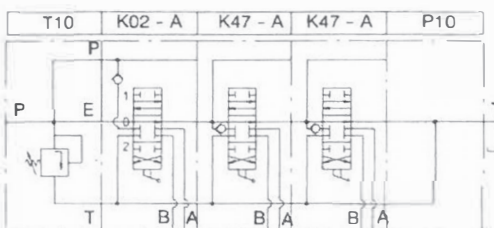
Note: For availability of L/S versions please contact our Sales Department

10.8 Hydraulic circuits

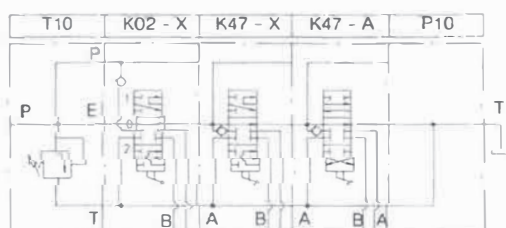
10.8.1 Standard parallel circuit



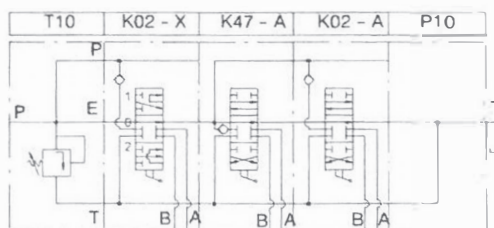
10.8.3 Optional tandem circuit



10.8.2 Optional series circuit



10.8.4 Combined parallel/series circuit



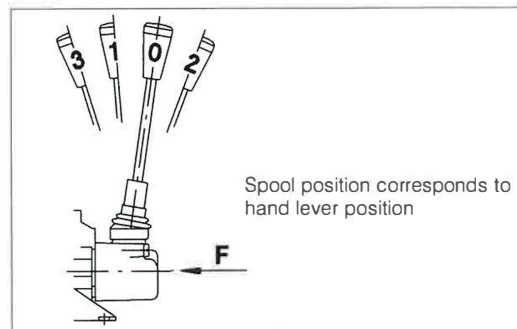
Wegeventile Baureihe HDS (230270)

Distributeurs série HDS

10.9 Spool actions

Spool position				Stroke	Type	Code
3	1	0	2	mm		
○	○	*	○	7.5	01	200.9686.1002.0
●	●	○	○	7.5	02	200.9686.3002.0
●	●	●	○	7.5	03	200.9686.2002.0
	●	●	○	7.5	05	200.9686.2004.0
*		○		15	06	200.9686.1004.0
●	●			7.5	07	200.9686.2007.0
○	*			7.5	09	200.9686.1011.0
●		●		15	11	200.9686.2009.0
○	●	●		7.5	19	200.9686.3008.0
○	*	○		7.5	24	200.9686.5013.0
○	*	○		7.5	31	200.9686.1054.0
○	*	○		7.5	46	200.9686.1076.0
○	*	○		7.5	47	200.9686.1078.0
○	*	○		7.5	50	200.9686.5020.0
○	*	○		7.5	56	200.9686.1086.0
○	*	○		7.5	83	200.9686.1096.0
●	○	*	○	5 - 7 - 7	128	200.9686.4009.0

- * Initial hand lever position
- Hand lever in detent position
- Spring return position of hand lever

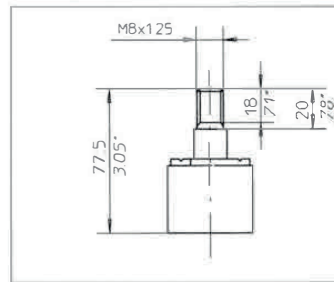
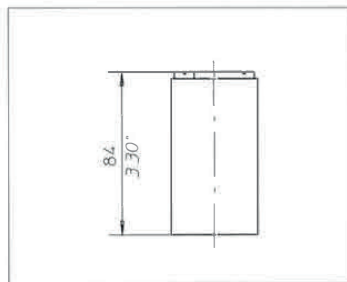
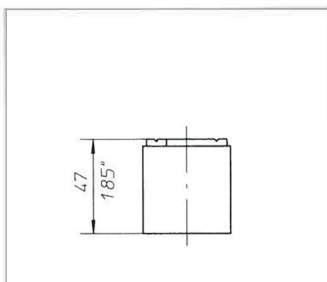


F (N) = force in Newton (N) needed to operate the spool

F (N)	Spool position control type
350	01 (standard)
280	56

Note: consult factory for different configurations.

10.9.1 Spool positioners dimensions



Spool positioners: 01 - 02 - 03 - 05 - 06 07 - 09 - 11 - 19 - 56	Spool positioner: 128 (Z spool type)	Spool positioner: 83
--	---	--------------------------------

10.9.2 Microswitch control

Type 31	Microswitch is operated when the spool is in pos.1 and 2	
Type 46	Microswitch is operated when the spool is in pos.1	
Type 47	Microswitch is operated when the spool is pos.2	

The microswitch is supplied only on customer's request.

Wegeventile Baureihe HDS (230271)

Distributeurs série HDS

6.1 Standard circuit: parallel

Ø D	Type/Code	
	Standard	Section with valve UC - OA - C
M18X1.5	K01 200.9415.1002.0	K05 200.9415.1003.0
1/2" BSP std	K02 200.9415.3007.0	K06 200.9415.3008.0
SAE 10	K04 200.9415.8002.0	K08 200.9415.8003.0

6.2 Optional circuit: series and tandem

Ø D	Type/Code	
	Standard	Section with valve UC - OA - C
M18X1.5	K46 200.9415.1004.0	K50 200.9415.1005.0
1/2" BSP std	K47 200.9415.3009.0	K51 200.9415.3010.0
SAE10	K49 200.9415.8004.0	K53 200.9415.8005.0

Wegeventile Baureihe HDS (230271)

Distributeurs série HDS

10.7 Spool charts

Spool scheme	Spool features	Type
	3 way - 3 position A: blocked E: open by pass	S SS*
	4 way - 3 position A/B: blocked E: open by pass	AS*
	4 way - 3 position A/B: blocked E: closed	B
	4 way - 3 position A/B: to tank in neutral E: open by pass	CS*
	4 way - 3 position A: blocked B: to tank in neutral	D
	3 way - 3 position B: blocked E: open by pass	GS*
	4 way - 3 position B: blocked A: to tank in neutral	L
	4 way - 3 position with regenerative spool in 2 nd pos	R**
	4 way - 4 position 4 th float position	Z
	4 way - 3 position A/B: blocked Load Sensing	LSA**
	4 way - 3 position A/B: to tank in neutral Load Sensing	LSC**
	3 way - 3 position B: blocked Load Sensing	LSG**
	3 way - 3 position A: blocked Load Sensing	LSS**

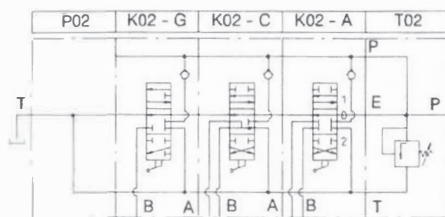
** special body required

* high metering spool (max flow suggested 50 l/min)

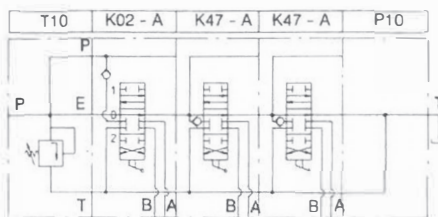
Note: For availability of LS versions please contact our Sales Department

10.8 Hydraulic circuits

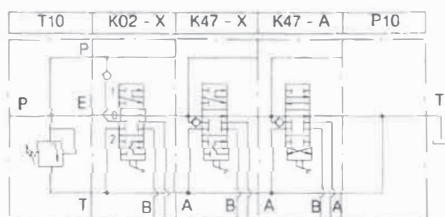
10.8.1 Standard parallel circuit



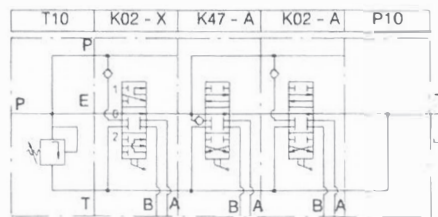
10.8.3 Optional tandem circuit



10.8.2 Optional series circuit



10.8.4 Combined parallel/series circuit



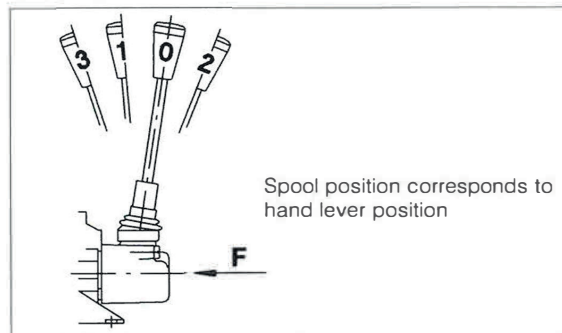
Wegeventile Baureihe HDS (230271)

Distributeurs série HDS

.9 Spool actions

3	Spool position			Stroke mm	Type	Code
	1	0	2			
	○	*	○	7.5	01	200.9686.1002.0
	●	●	○	7.5	02	200.9686.3002.0
	●	●	●	7.5	03	200.9686.2002.0
		●	●	7.5	05	200.9686.2004.0
	*		○	15	06	200.9686.1004.0
	●	●		7.5	07	200.9686.2007.0
	○	*		7.5	09	200.9686.1011.0
	●		●	15	11	200.9686.2009.0
	○	●	●	7.5	19	200.9686.3008.0
	○	*	○	7.5	24	200.9686.5013.0
	○	*	○	7.5	31	200.9686.1054.0
	○	*	○	7.5	46	200.9686.1076.0
	○	*	○	7.5	47	200.9686.1078.0
	○	*	○	7.5	50	200.9686.5020.0
	○	*	○	7.5	56	200.9686.1086.0
	○	*	○	7.5	83	200.9686.1096.0
3	○	*	○	5 - 7 - 7	128	200.9686.4009.0

- * Initial hand lever position
- Hand lever in detent position
- Spring return position of hand lever

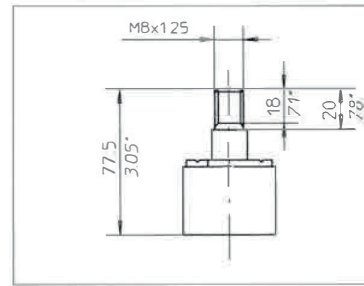
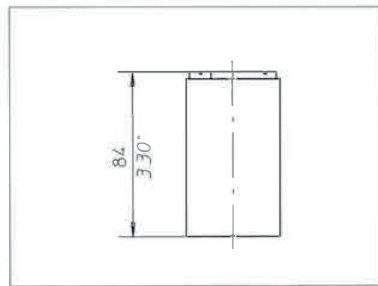
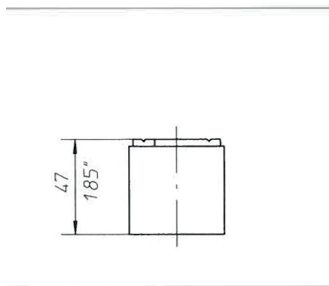


F (N) = force in Newton (N) needed to operate the spool

F (N)	Spool position control type
350	01 (standard)
280	56

Note: consult factory for different configurations.

.9.1 Spool positioners dimensions



Spool positioners: 01 - 02 - 03 - 05 - 06 07 - 09 - 11 - 19 - 56	Spool positioner: 128 (Z spool type)	Spool positioner: 83
--	---	--------------------------------

.9.2 Microswitch control

Type 31	Microswitch is operated when the spool is in pos.1 and 2		
Type 46	Microswitch is operated when the spool is in pos.1		
Type 47	Microswitch is operated when the spool is pos.2		

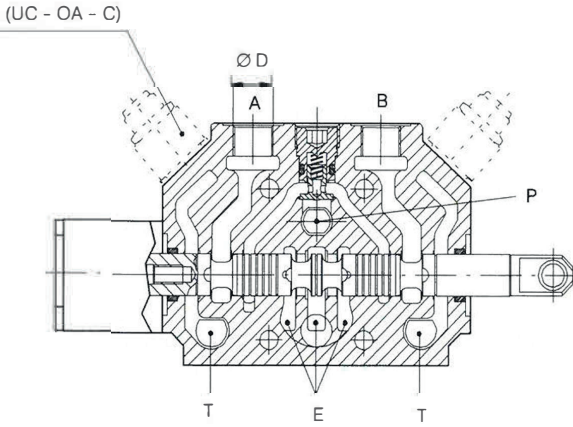
The microswitch is supplied only on customer's request.

Wegeventile Baureihe HDS (230272)

Distributeurs série HDS

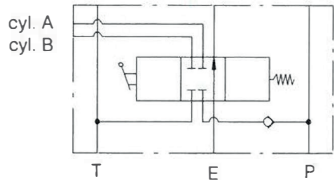
10.6 Sectional bodies

10.6.1 Standard circuit: parallel



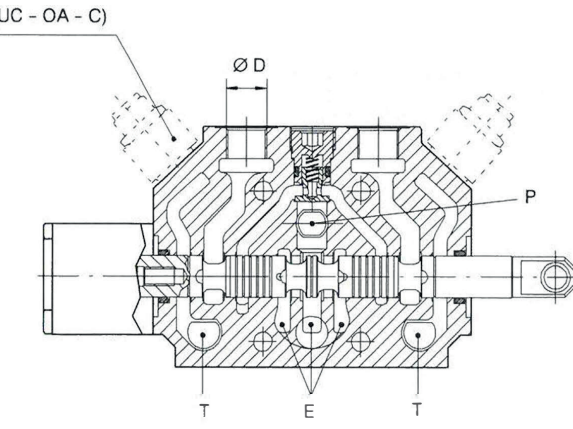
(UC - OA - C)

Ø D	Type/Code	
	Standard	Section with valve UC - OA - C
M18X1.5	K01 200.9415.1002.0	K05 200.9415.1003.0
1/2" BSP std	K02 200.9415.3007.0	K06 200.9415.3008.0
SAE 10	K04 200.9415.8002.0	K08 200.9415.8003.0



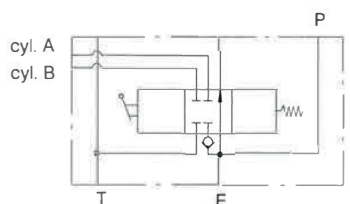
cyl. A
cyl. B

10.6.2 Optional circuit: series and tandem



(UC - OA - C)

Ø D	Type/Code	
	Standard	Section with valve UC - OA - C
M18X1.5	K46 200.9415.1004.0	K50 200.9415.1005.0
1/2" BSP std	K47 200.9415.3009.0	K51 200.9415.3010.0
SAE10	K49 200.9415.8004.0	K53 200.9415.8005.0



cyl. A
cyl. B

Wegeventile Baureihe HDS (230272)

Distributeurs série HDS

10.7 Spool charts

Spool scheme	Spool features	Type		
	3 way - 3 position A: blocked E: open by pass	S SS*		4 way - 3 position A/B: blocked E: open by pass
	4 way - 3 position A/B: blocked E: closed	B		4 way - 3 position A/B: to tank in neutral series connection
	4 way - 3 position A/B to tank in neutral E: open by pass	C CS*		4 way - 4 position 4 th float position
	4 way - 3 position A: blocked B: to tank in neutral	D		4 way - 3 position A/B: blocked Load Sensing
	3 way - 3 position B: blocked E: open by pass	G GS*		4 way - 3 position A/B: to tank in neutral Load Sensing
	4 way - 3 position B: blocked A: to tank in neutral	L		3 way - 3 position B: blocked Load Sensing
	4 way - 3 position with regenerative spool in 2 nd pos	R**		3 way - 3 position A: blocked Load Sensing

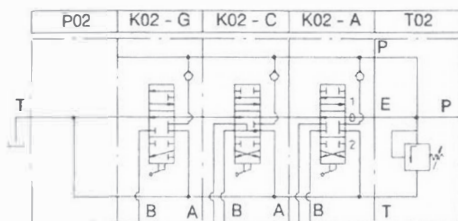
** special body required

* high metering spool (max flow suggested 50 l/min)

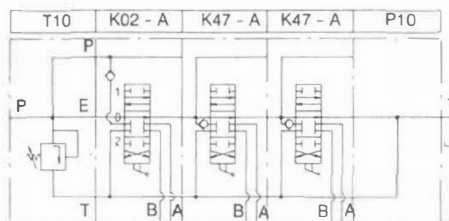
Note: For availability of L/S versions please contact our Sales Department

10.8 Hydraulic circuits

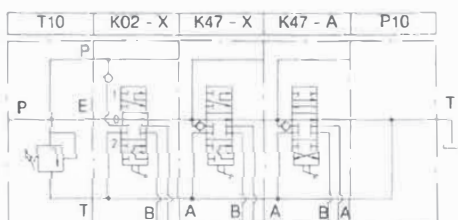
10.8.1 Standard parallel circuit



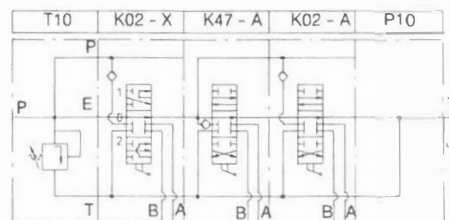
10.8.3 Optional tandem circuit



10.8.2 Optional series circuit



10.8.4 Combined parallel/series circuit



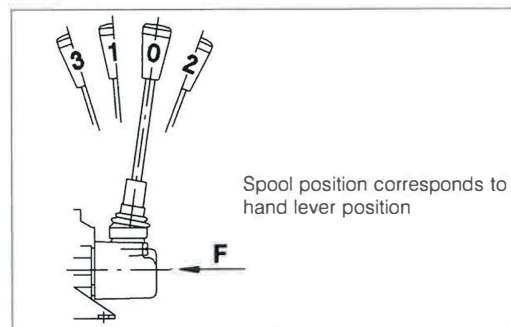
Wegeventile Baureihe HDS (230272)

Distributeurs série HDS

10.9 Spool actions

Spool position				Stroke mm	Type	Code
3	1	0	2			
○	*	○		7.5	01	200.9686.1002.0
●	●	○		7.5	02	200.9686.3002.0
●	●	●		7.5	03	200.9686.2002.0
	●	●		7.5	05	200.9686.2004.0
*		○		15	06	200.9686.1004.0
●	●			7.5	07	200.9686.2007.0
○	*			7.5	09	200.9686.1011.0
●		●		15	11	200.9686.2009.0
○	●	●		7.5	19	200.9686.3008.0
○	*	○		7.5	24	200.9686.5013.0
○	*	○		7.5	31	200.9686.1054.0
○	*	○		7.5	46	200.9686.1076.0
○	*	○		7.5	47	200.9686.1078.0
○	*	○		7.5	50	200.9686.5020.0
○	*	○		7.5	56	200.9686.1086.0
○	*	○		7.5	83	200.9686.1096.0
●	○	*	○	5 - 7 - 7	128	200.9686.4009.0

- * Initial hand lever position
- Hand lever in detent position
- Spring return position of hand lever

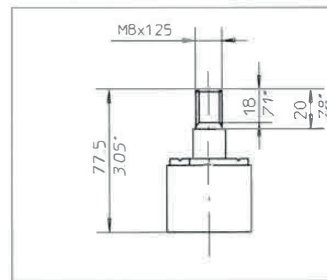
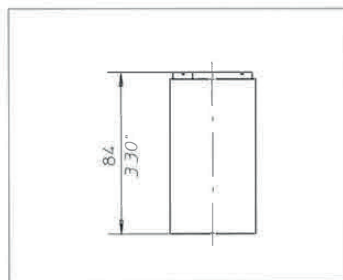
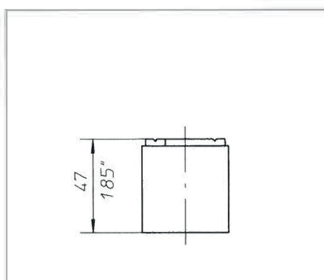


F (N) = force in Newton (N) needed to operate the spool

F (N)	Spool position control type
350	01 (standard)
280	56

Note: consult factory for different configurations.

10.9.1 Spool positioners dimensions



Spool positioners: 01 - 02 - 03 - 05 - 06 07 - 09 - 11 - 19 - 56	Spool positioner: 128 (Z spool type)	Spool positioner: 83
--	---	--------------------------------

10.9.2 Microswitch control

Type 31	Microswitch is operated when the spool is in pos.1 and 2		
Type 46	Microswitch is operated when the spool is in pos.1		
Type 47	Microswitch is operated when the spool is pos.2		

The microswitch is supplied only on customer's request.

Wegeventile Baureihe HDS (230272)

Distributeurs série HDS

10.7 Spool charts

Spool scheme	Spool features	Type		
	3 way - 3 position A: blocked E: open by pass	S SS*		4 way - 3 position A/B: blocked E: open by pass
	4 way - 3 position A/B: blocked E: closed	B		4 way - 3 position A/B: to tank in neutral series connection
	4 way - 3 position A/B to tank in neutral E: open by pass	C CS*		4 way - 4 position 4 th float position
	4 way - 3 position A: blocked B: to tank in neutral	D		4 way - 3 position A/B: blocked Load Sensing
	3 way - 3 position B: blocked E: open by pass	G GS*		4 way - 3 position A/B: to tank in neutral Load Sensing
	4 way - 3 position B: blocked A: to tank in neutral	L		3 way - 3 position B: blocked Load Sensing
	4 way - 3 position with regenerative spool in 2 nd pos	R**		3 way - 3 position A: blocked Load Sensing

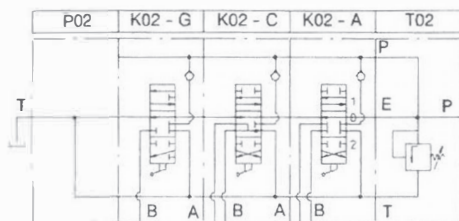
** special body required

* high metering spool (max flow suggested 50 l/min)

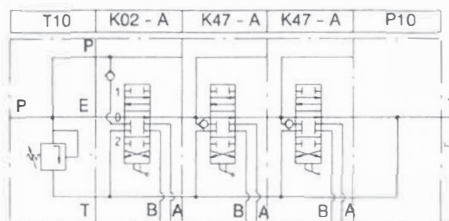
Note: For availability of L/S versions please contact our Sales Department

10.8 Hydraulic circuits

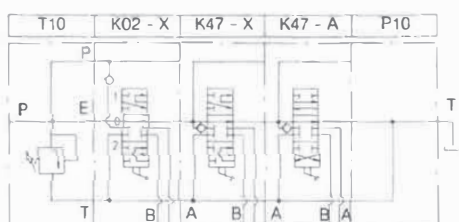
10.8.1 Standard parallel circuit



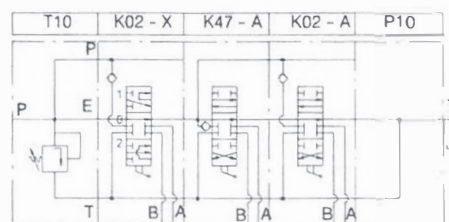
10.8.3 Optional tandem circuit



10.8.2 Optional series circuit



10.8.4 Combined parallel/series circuit



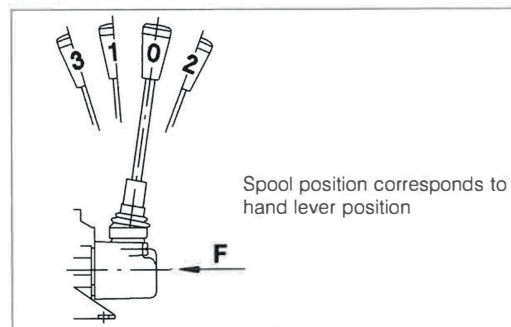
Wegeventile Baureihe HDS (230272)

Distributeurs série HDS

10.9 Spool actions

Spool position				Stroke mm	Type	Code
3	1	0	2			
○	*	○		7.5	01	200.9686.1002.0
●	●	○		7.5	02	200.9686.3002.0
●	●	●		7.5	03	200.9686.2002.0
	●	●		7.5	05	200.9686.2004.0
*		○		15	06	200.9686.1004.0
●	●			7.5	07	200.9686.2007.0
○	*			7.5	09	200.9686.1011.0
●		●		15	11	200.9686.2009.0
○	●	●		7.5	19	200.9686.3008.0
○	*	○		7.5	24	200.9686.5013.0
○	*	○		7.5	31	200.9686.1054.0
○	*	○		7.5	46	200.9686.1076.0
○	*	○		7.5	47	200.9686.1078.0
○	*	○		7.5	50	200.9686.5020.0
○	*	○		7.5	56	200.9686.1086.0
○	*	○		7.5	83	200.9686.1096.0
●	○	*	○	5 - 7 - 7	128	200.9686.4009.0

- * Initial hand lever position
- Hand lever in detent position
- Spring return position of hand lever

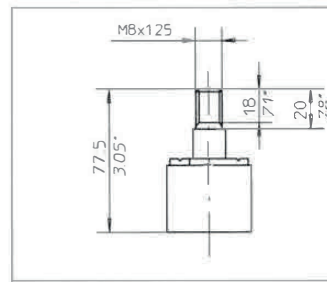
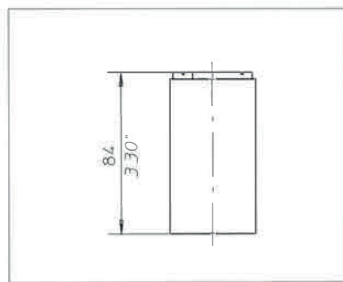
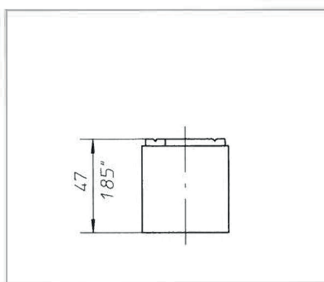


F (N) = force in Newton (N) needed to operate the spool

F (N)	Spool position control type
350	01 (standard)
280	56

Note: consult factory for different configurations.

10.9.1 Spool positioners dimensions



Spool positioners: 01 - 02 - 03 - 05 - 06 07 - 09 - 11 - 19 - 56	Spool positioner: 128 (Z spool type)	Spool positioner: 83
--	---	--------------------------------

10.9.2 Microswitch control

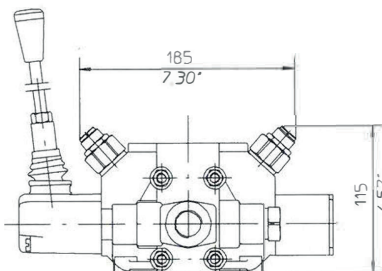
Type 31	Microswitch is operated when the spool is in pos.1 and 2		
Type 46	Microswitch is operated when the spool is in pos.1		
Type 47	Microswitch is operated when the spool is pos.2		

The microswitch is supplied only on customer's request.

Wegeventile Baureihe HDS (230272)

Distributeurs série HDS

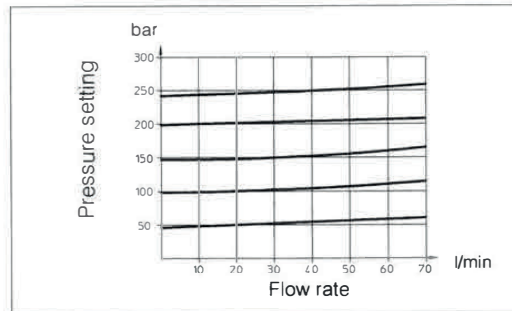
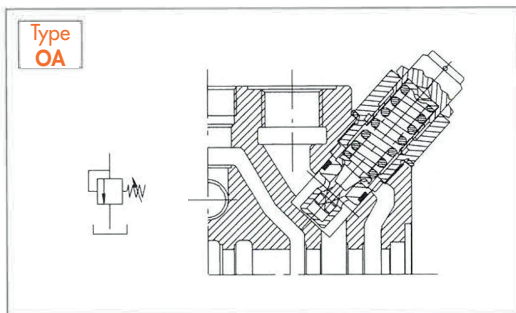
10.11 Anti-shock and anti-cavitation valves



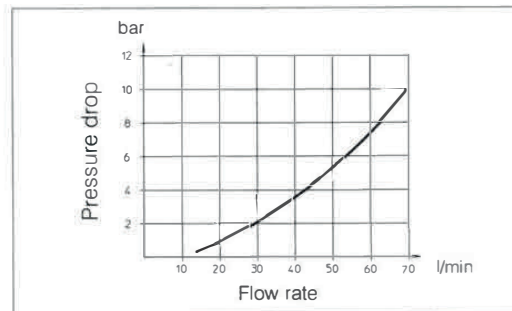
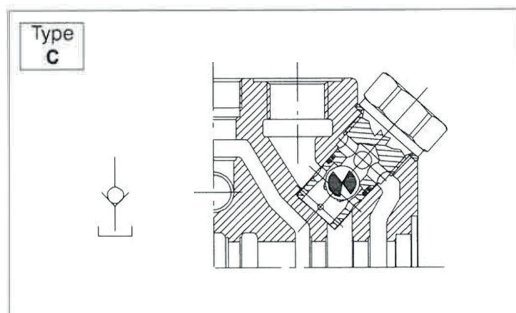
Port relief valve settings

Pressure set range bar (PSI)	Std. setting bar (PSI)	Type	Spring colour
30 - 95 (400 - 1300)	60 (860)	06	Yellow (YE)
96 - 210 (1300 - 3000)	150 (2100)	15	Green (GR)
211 - 320 (3000 - 4600)	260 (3700)	26	Blue (BL)

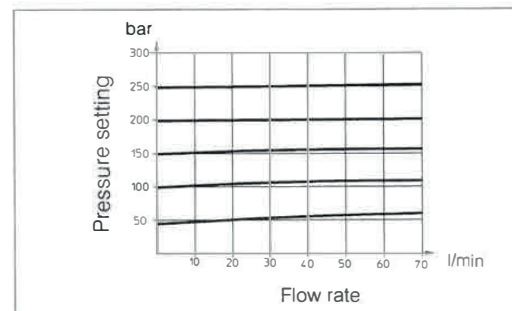
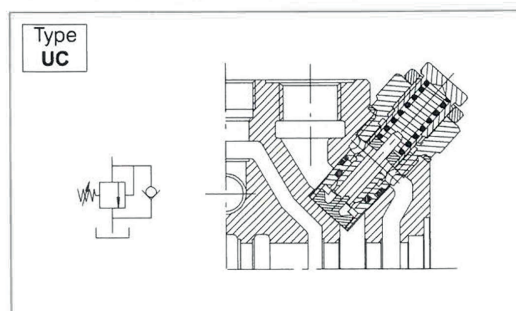
10.11.1 Port relief valve



10.11.2 Anti-cavitation valve



10.11.3 Combined port relief and anti-cavitation valve

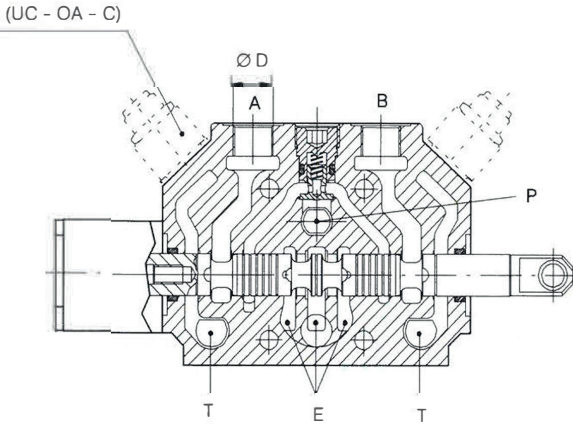


Wegeventile Baureihe HDS (230273)

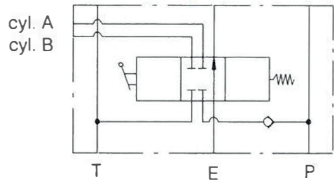
Distributeurs série HDS

10.6 Sectional bodies

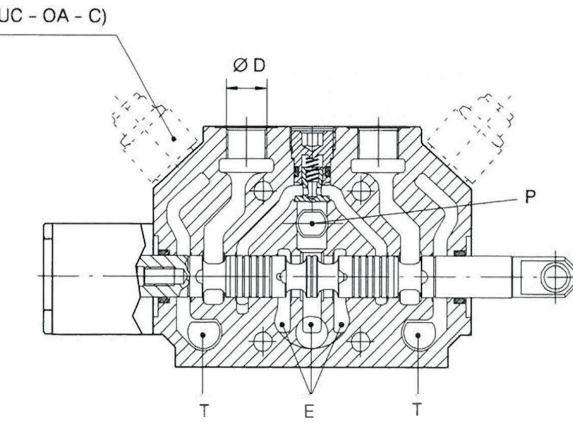
10.6.1 Standard circuit: parallel



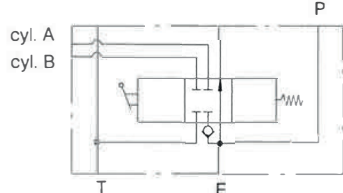
Ø D	Type/Code	
	Standard	Section with valve UC - OA - C
M18X1.5	K01 200.9415.1002.0	K05 200.9415.1003.0
1/2" BSP std	K02 200.9415.3007.0	K06 200.9415.3008.0
SAE 10	K04 200.9415.8002.0	K08 200.9415.8003.0



10.6.2 Optional circuit: series and tandem



Ø D	Type/Code	
	Standard	Section with valve UC - OA - C
M18X1.5	K46 200.9415.1004.0	K50 200.9415.1005.0
1/2" BSP std	K47 200.9415.3009.0	K51 200.9415.3010.0
SAE10	K49 200.9415.8004.0	K53 200.9415.8005.0



Wegeventile Baureihe HDS (230273)

Distributeurs série HDS

10.7 Spool charts

Spool scheme	Spool features	Type
	3 way - 3 position A: blocked E: open by pass	S SS*
	4 way - 3 position A/B: blocked E: open by pass	A AS*
	4 way - 3 position A/B: blocked E: closed	B
	4 way - 3 position A/B: to tank in neutral E: open by pass	C CS*
	4 way - 3 position A: blocked B: to tank in neutral	D
	3 way - 3 position B: blocked E: open by pass	G GS*
	4 way - 3 position B: blocked A: to tank in neutral	L
	4 way - 3 position with regenerative spool in 2 nd pos	R**

** special body required

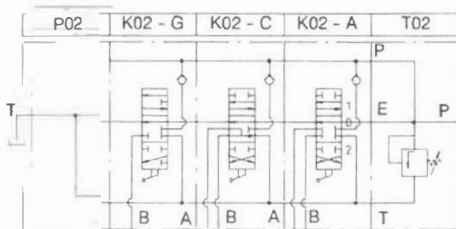
	4 way - 4 position 4 th float position	Z
	4 way - 3 position A/B: blocked Load Sensing	LSA **
	4 way - 3 position A/B: to tank in neutral Load Sensing	LSC **
	3 way - 3 position B: blocked Load Sensing	LSG **
	3 way - 3 position A: blocked Load Sensing	LSS **

* high metering spool (max flow suggested 50 l/min)

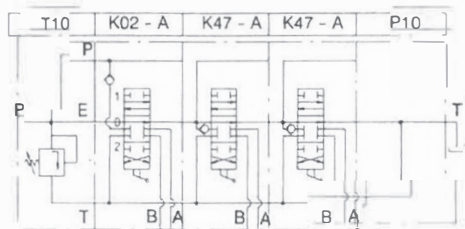
Note: For availability of L/S versions please contact our Sales Department

10.8 Hydraulic circuits

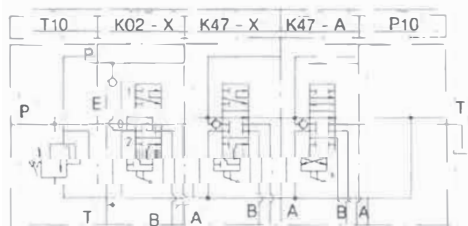
10.8.1 Standard parallel circuit



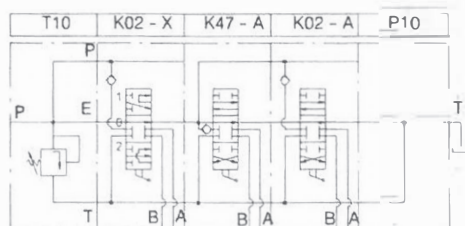
10.8.3 Optional tandem circuit



10.8.2 Optional series circuit



10.8.4 Combined parallel/series circuit



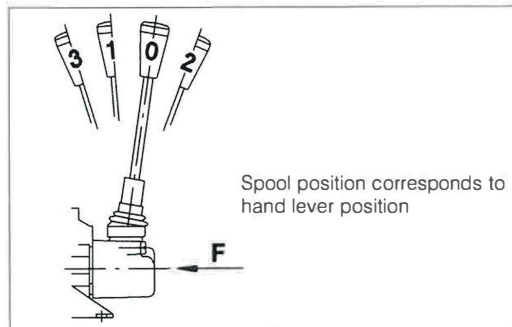
Wegeventile Baureihe HDS (230273)

Distributeurs série HDS

10.9 Spool actions

Spool position				Stroke mm	Type	Code
3	1	0	2			
	○	*	○	7.5	01	200.9686.1002.0
	●	●	○	7.5	02	200.9686.3002.0
	●	●	●	7.5	03	200.9686.2002.0
		●	●	7.5	05	200.9686.2004.0
	*		○	15	06	200.9686.1004.0
	●	●		7.5	07	200.9686.2007.0
	○	*		7.5	09	200.9686.1011.0
	●		●	15	11	200.9686.2009.0
	○	●	●	7.5	19	200.9686.3008.0
	○	*	○	7.5	24	200.9686.5013.0
	○	*	○	7.5	31	200.9686.1054.0
	○	*	○	7.5	46	200.9686.1076.0
	○	*	○	7.5	47	200.9686.1078.0
	○	*	○	7.5	50	200.9686.5020.0
	○	*	○	7.5	56	200.9686.1086.0
	○	*	○	7.5	83	200.9686.1096.0
●	○	*	○	5 - 7 - 7	128	200.9686.4009.0

- * Initial hand lever position
- Hand lever in detent position
- Spring return position of hand lever

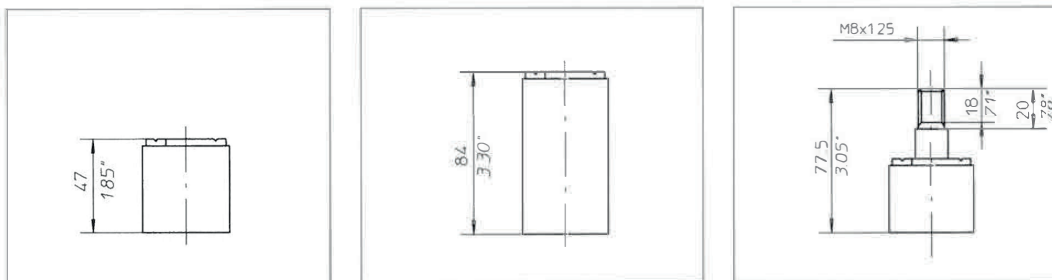


F (N) = force in Newton (N) needed to operate the spool

F (N)	Spool position control type
350	01 (standard)
280	56

Note: consult factory for different configurations.

10.9.1 Spool positioners dimensions



Spool positioners: 01 - 02 - 03 - 05 - 06 07 - 09 - 11 - 19 - 56	Spool positioner: 128 (Z spool type)	Spool positioner: 83
--	---	--------------------------------

10.9.2 Microswitch control

Type 31	Microswitch is operated when the spool is in pos. 1 and 2		
Type 46	Microswitch is operated when the spool is in pos. 1		
Type 47	Microswitch is operated when the spool is pos. 2		

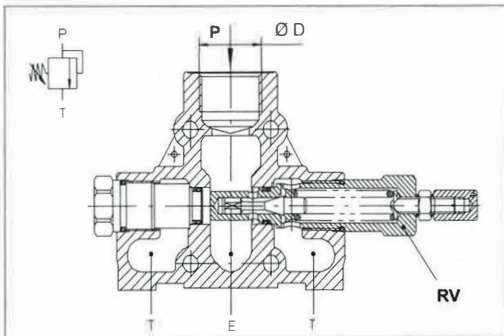
The microswitch is supplied only on customer's request.

Wegeventile Baureihe HDS (230274)

Distributeurs série HDS

10.4 Inlet covers

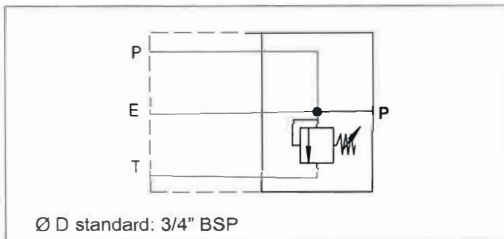
10.4.1 Adjustable direct acting Relief Valve RV



Relief valve set at 30 l/min (8 U.S.G.P.M.)

Pressure set range bar (PSI)	Std. setting bar (PSI)	Type	Spring colour
30 - 95 (400 - 1300)	60 (860)	06	Yellow (YE)
96 - 210 (1300 - 3000)	150 (2100)	15	Green (GR)
211 - 320 (3000 - 4600)	260 (3700)	26	Blue (BL)

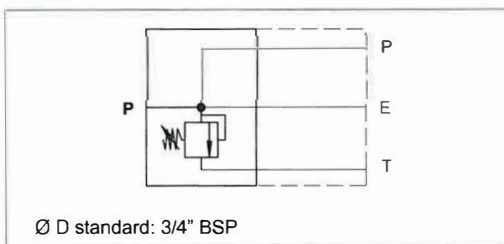
10.4.2 Right inlet manifold (standard) with P and RV for parallel circuit



Ø D	Type	Code
M22X1.5	T01	* 200.9314.9001.0
3/4" BSP	T02	* 200.7314.4001.0
SAE12	T04	* 200.9314.9002.0

* Group code with RV set at standard pressure 150 bar (2100 PSI)

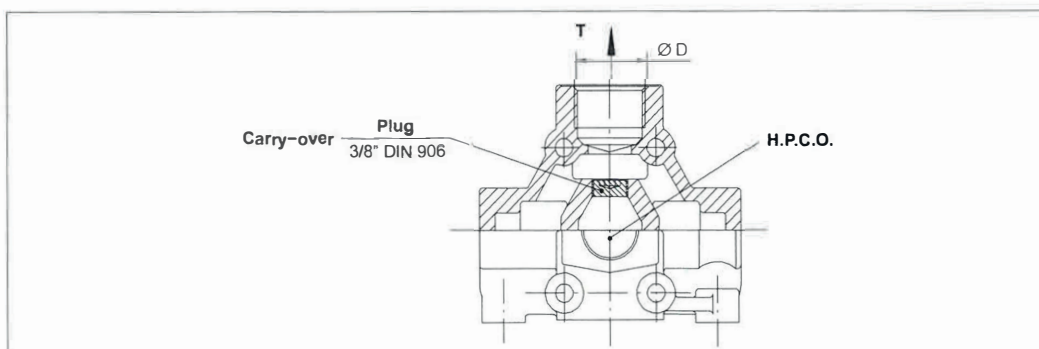
10.4.3 Left inlet manifold with P and RV (standard on series circuit)



Ø D	Type	Code
M22X1.5	T09	* 200.9314.9003.0
3/4" BSP	T10	* 200.9314.4002.0
SAE12	T12	* 200.9314.9004.0

* Group code with RV set at standard pressure 150 bar (2100 PSI)

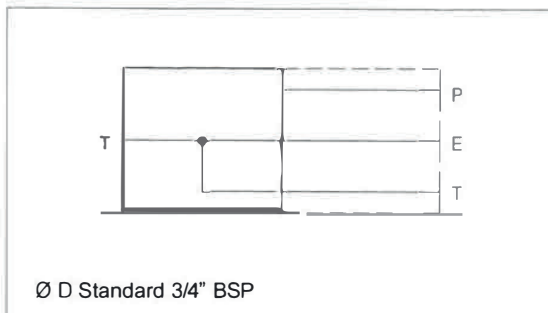
10.5 End covers



Wegeventile Baureihe HDS (230274)

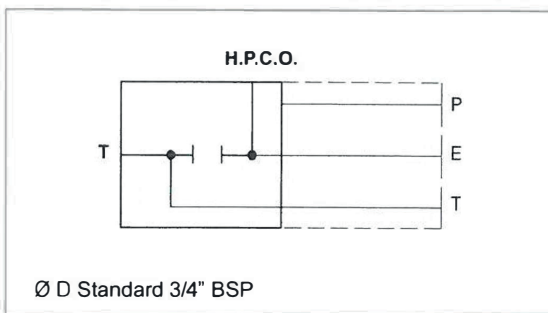
Distributeurs série HDS

10.5.1 Left outlet cover with T for parallel circuit (Standard)



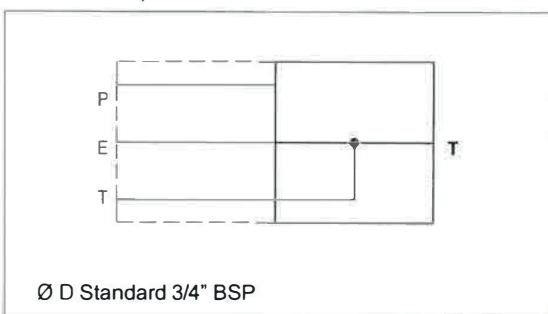
Ø D	Type	Code
M22X1.5	P01	200.9304.9001.0
3/4" BSP std	P02	200.9304.4001.0
SAE12	P04	200.9304.9002.0

10.5.2 Left outlet cover with T and carry-over H.P.C.O.



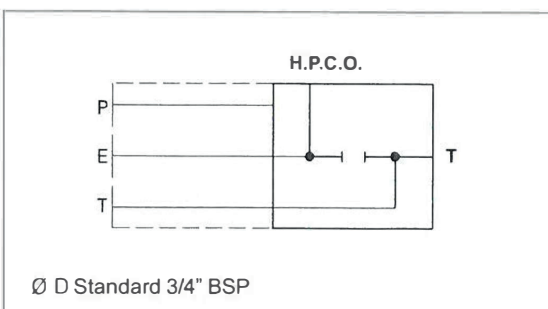
Ø D	Type	Code
M22X1.5	P05	200.9304.9003.0
3/4" BSP std	P06	200.9304.4002.0
SAE12	P08	200.9304.9004.0

10.5.3 Right outlet cover with T (standard on series circuit)



Ø D	Type	Code
M22X1.5	P09	200.6304.9005.0
3/4" BSP std	P10	200.6304.4003.0
SAE12	P12	200.6304.9006.0

10.5.4 Right outlet cover with T and carry-over H.P.C.O.



Ø D	Type	Code
M22X1.5	P13	200.9304.9007.0
3/4" BSP std	P14	200.9304.4004.0
SAE12	P16	200.9304.9008.0

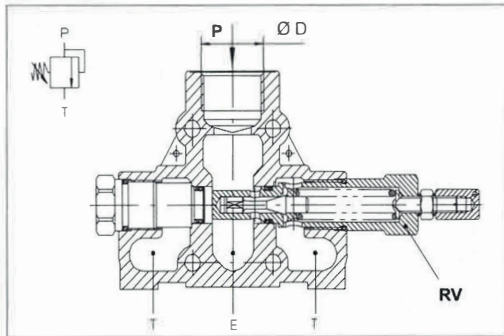
Wegeventile Baureihe HDS (230275)

Distributeurs série HDS

10.4 Inlet covers

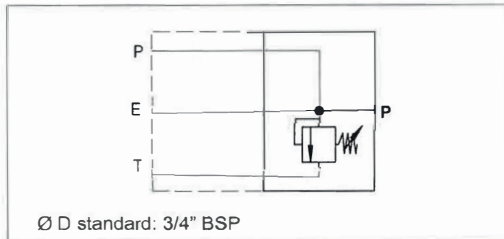
10.4.1 Adjustable direct acting Relief Valve RV

Relief valve set at 30 l/min (8 U.S.G.P.M.)



Pressure set range bar (PSI)	Std. setting bar (PSI)	Type	Spring colour
30 - 95 (400 - 1300)	60 (860)	06	Yellow (YE)
96 - 210 (1300 - 3000)	150 (2100)	15	Green (GR)
211 - 320 (3000 - 4600)	260 (3700)	26	Blue (BL)

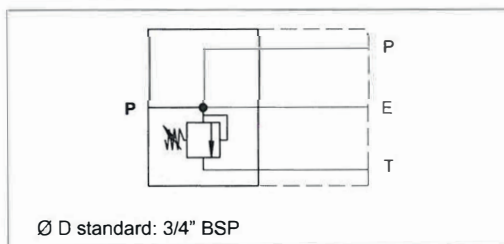
10.4.2 Right inlet manifold (standard) with P and RV for parallel circuit



Ø D	Type	Code
M22X1.5	T01	* 200.9314.9001.0
3/4" BSP	T02	* 200.7314.4001.0
SAE12	T04	* 200.9314.9002.0

* Group code with RV set at standard pressure 150 bar (2100 PSI)

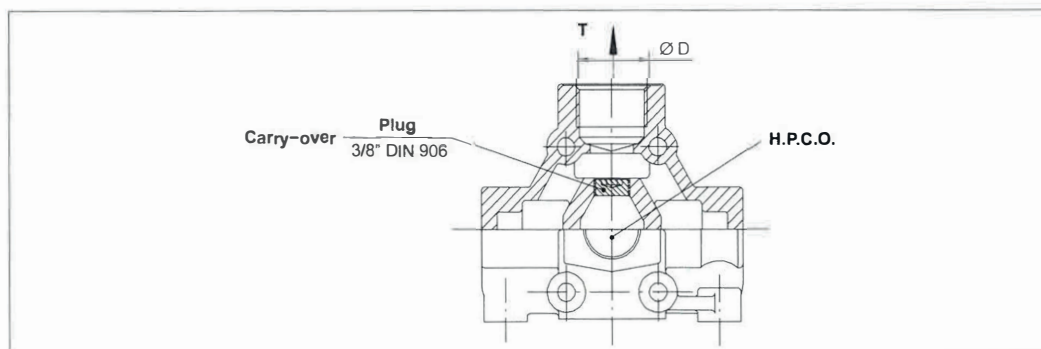
10.4.3 Left inlet manifold with P and RV (standard on series circuit)



Ø D	Type	Code
M22X1.5	T09	* 200.9314.9003.0
3/4" BSP	T10	* 200.9314.4002.0
SAE12	T12	* 200.9314.9004.0

* Group code with RV set at standard pressure 150 bar (2100 PSI)

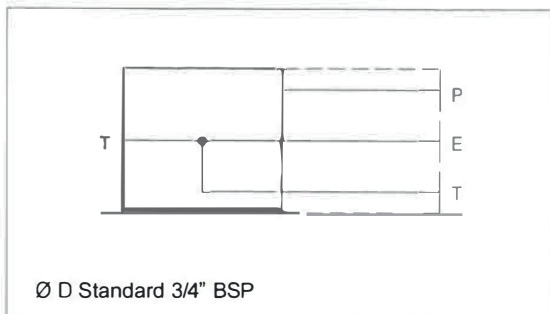
10.5 End covers



Wegeventile Baureihe HDS (230275)

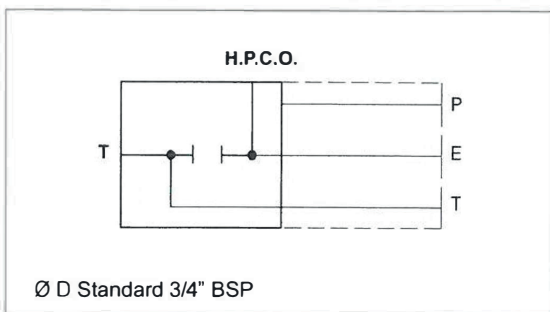
Distributeurs série HDS

10.5.1 Left outlet cover with T for parallel circuit (Standard)



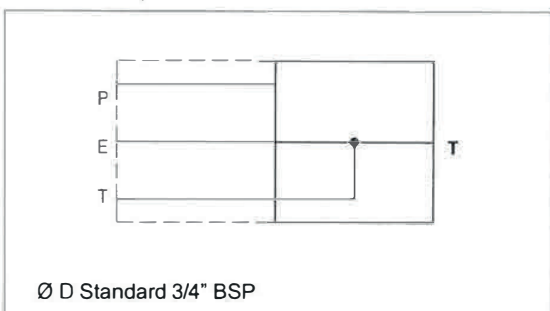
Ø D	Type	Code
M22X1.5	P01	200.9304.9001.0
3/4" BSP std	P02	200.9304.4001.0
SAE12	P04	200.9304.9002.0

10.5.2 Left outlet cover with T and carry-over H.P.C.O.



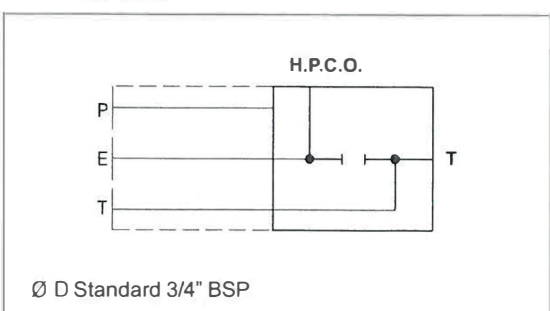
Ø D	Type	Code
M22X1.5	P05	200.9304.9003.0
3/4" BSP std	P06	200.9304.4002.0
SAE12	P08	200.9304.9004.0

10.5.3 Right outlet cover with T (standard on series circuit)



Ø D	Type	Code
M22X1.5	P09	200.6304.9005.0
3/4" BSP std	P10	200.6304.4003.0
SAE12	P12	200.6304.9006.0

10.5.4 Right outlet cover with T and carry-over H.P.C.O.



Ø D	Type	Code
M22X1.5	P13	200.9304.9007.0
3/4" BSP std	P14	200.9304.4004.0
SAE12	P16	200.9304.9008.0

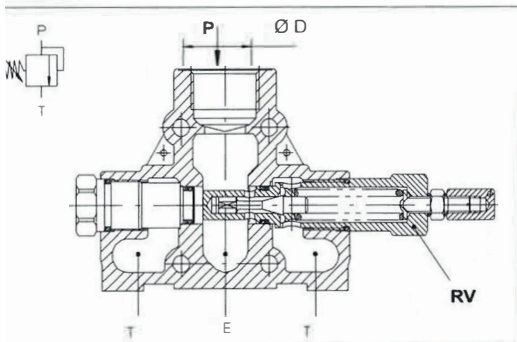
Wegeventile Baureihe HDS (230276)

Distributeurs série HDS

.4 Inlet covers

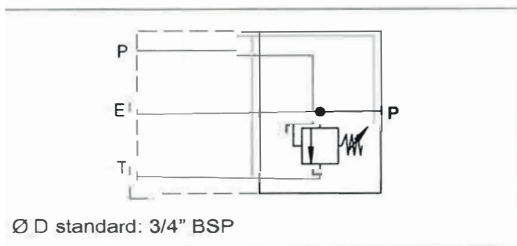
4.1 Adjustable direct acting Relief Valve RV

Relief valve set at 30 l/min (8 U.S.G.P.M.)



Pressure set range bar (PSI)	Std. setting bar (PSI)	Type	Spring colour
30 - 95 (400 - 1300)	60 (860)	06	Yellow (YE)
96 - 210 (1300 - 3000)	150 (2100)	15	Green (GR)
211 - 320 (3000 - 4600)	260 (3700)	26	Blue (BL)

4.2 Right inlet manifold (standard) with P and RV for parallel circuit

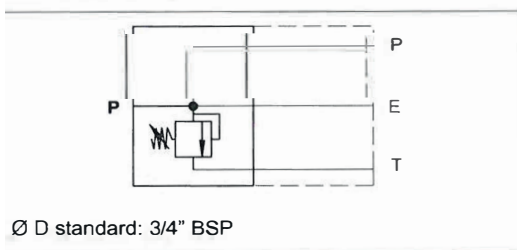


Ø D standard: 3/4" BSP

Ø D	Type	Code
M22X1.5	T01	* 200.9314.9001.0
3/4" BSP	T02	* 200.7314.4001.0
SAE12	T04	* 200.9314.9002.0

* Group code with RV set at standard pressure 150 bar (2100 PSI)

4.3 Left inlet manifold with P and RV (standard on series circuit)

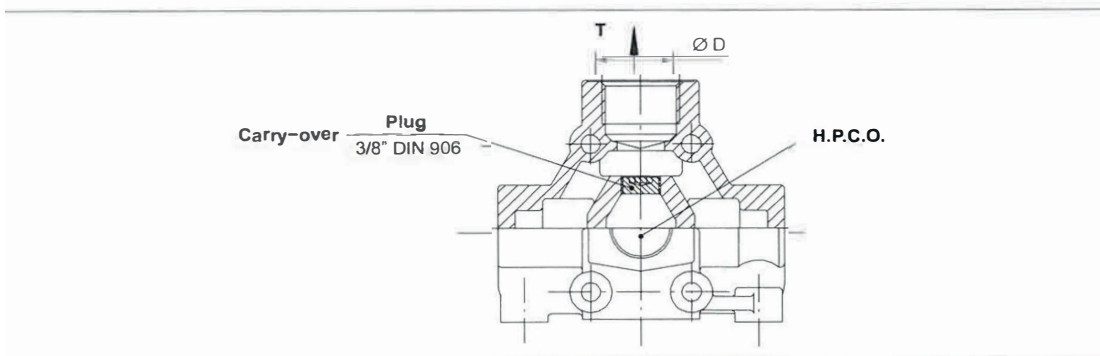


Ø D standard: 3/4" BSP

Ø D	Type	Code
M22X1.5	T09	* 200.9314.9003.0
3/4" BSP	T10	* 200.9314.4002.0
SAE12	T12	* 200.9314.9004.0

* Group code with RV set at standard pressure 150 bar (2100 PSI)

.5 End covers



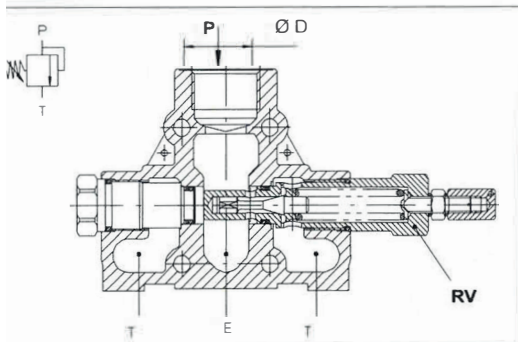
Wegeventile Baureihe HDS (230277)

Distributeurs série HDS

.4 Inlet covers

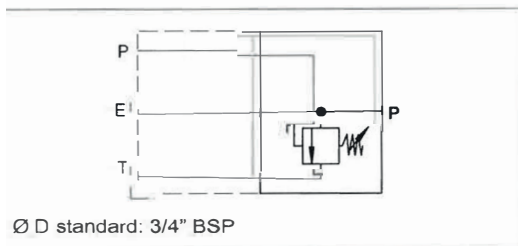
4.1 Adjustable direct acting Relief Valve RV

Relief valve set at 30 l/min (8 U.S.G.P.M.)



Pressure set range bar (PSI)	Std. setting bar (PSI)	Type	Spring colour
30 - 95 (400 - 1300)	60 (860)	06	Yellow (YE)
96 - 210 (1300 - 3000)	150 (2100)	15	Green (GR)
211 - 320 (3000 - 4600)	260 (3700)	26	Blue (BL)

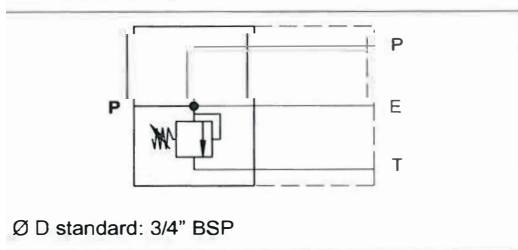
4.2 Right inlet manifold (standard) with P and RV for parallel circuit



Ø D	Type	Code
M22X1.5	T01	* 200.9314.9001.0
3/4" BSP	T02	* 200.7314.4001.0
SAE12	T04	* 200.9314.9002.0

* Group code with RV set at standard pressure 150 bar (2100 PSI)

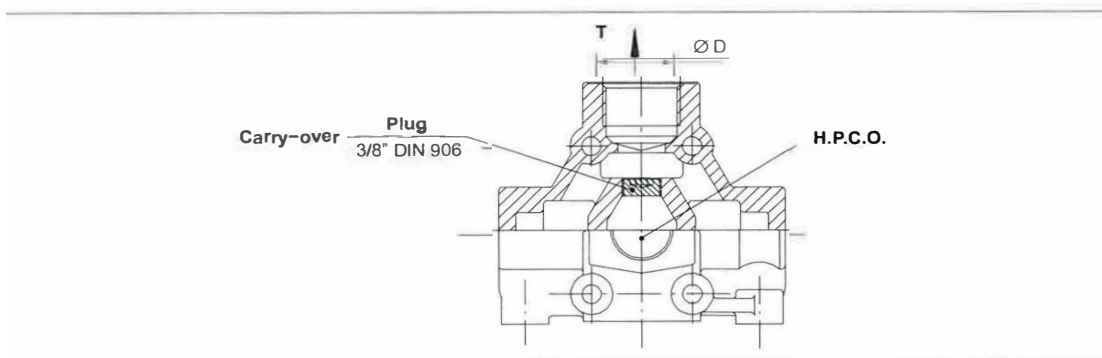
4.3 Left inlet manifold with P and RV (standard on series circuit)



Ø D	Type	Code
M22X1.5	T09	* 200.9314.9003.0
3/4" BSP	T10	* 200.9314.4002.0
SAE12	T12	* 200.9314.9004.0

* Group code with RV set at standard pressure 150 bar (2100 PSI)

.5 End covers

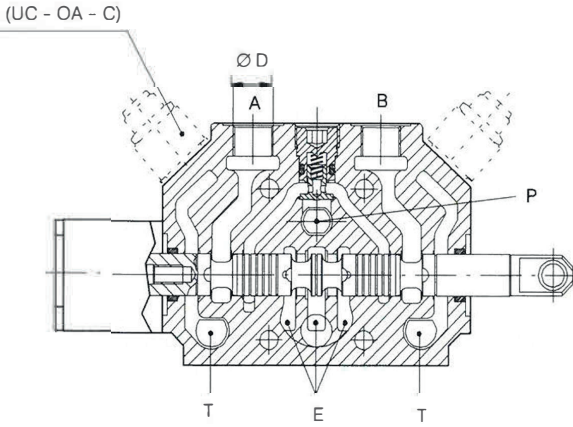


Wegeventile Baureihe HDS (230278)

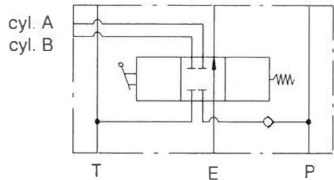
Distributeurs série HDS

10.6 Sectional bodies

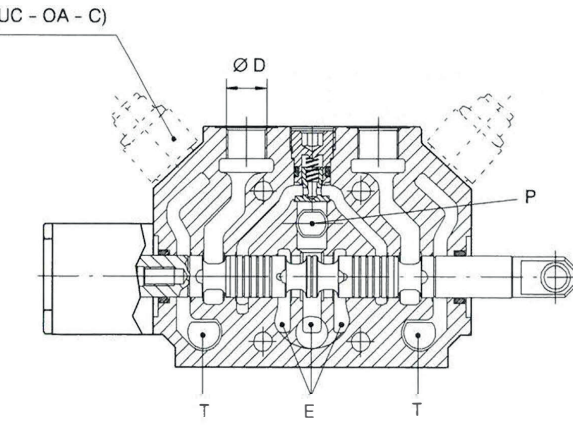
10.6.1 Standard circuit: parallel



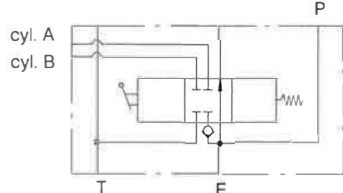
Ø D	Type/Code	
	Standard	Section with valve UC - OA - C
M18X1.5	K01 200.9415.1002.0	K05 200.9415.1003.0
1/2" BSP std	K02 200.9415.3007.0	K06 200.9415.3008.0
SAE 10	K04 200.9415.8002.0	K08 200.9415.8003.0



10.6.2 Optional circuit: series and tandem



Ø D	Type/Code	
	Standard	Section with valve UC - OA - C
M18X1.5	K46 200.9415.1004.0	K50 200.9415.1005.0
1/2" BSP std	K47 200.9415.3009.0	K51 200.9415.3010.0
SAE10	K49 200.9415.8004.0	K53 200.9415.8005.0



Wegeventile Baureihe HDS (230278)

Distributeurs série HDS

10.7 Spool charts

Spool scheme	Spool features	Type	Spool scheme	Spool features	Type
	3 way - 3 position A: blocked E: open by pass	S SS*		4 way - 3 position A/B blocked series connection	X
	4 way - 3 position A/B blocked E: open by pass	A AS*		4 way - 3 position A/B: to tank in neutral series connection	XC
	4 way - 3 position A/B blocked E: closed	B		4 way - 4 position 4th float position	Z
	4 way - 3 position A/B to tank in neutral E: open by pass	C CS*		4 way - 3 position A/B: blocked Load Sensing	LSA **
	4 way - 3 position A: blocked B: to tank in neutral	D		4 way - 3 position A/B: to tank in neutral Load Sensing	LSC **
	3 way - 3 position B: blocked E: open by pass	G GS*		3 way - 3 position B: blocked Load Sensing	LSG **
	4 way - 3 position B: blocked A: to tank in neutral	L		3 way - 3 position A: blocked Load Sensing	LSS **
	4 way - 3 position with regenerative spool in 2nd pos	R**			

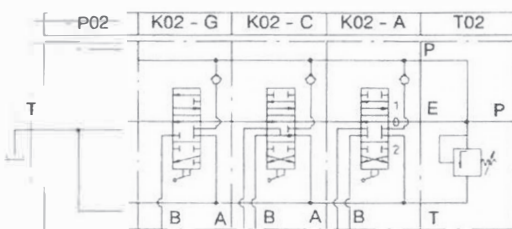
** special body required

* high metering spool (max flow suggested 50 l/min)

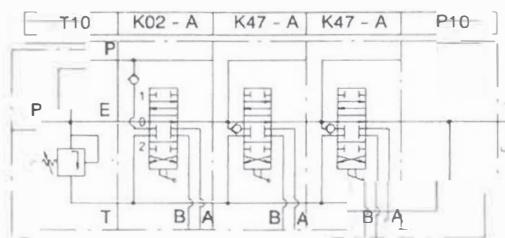
Note: For availability of L/S versions please contact our Sales Department

10.8 Hydraulic circuits

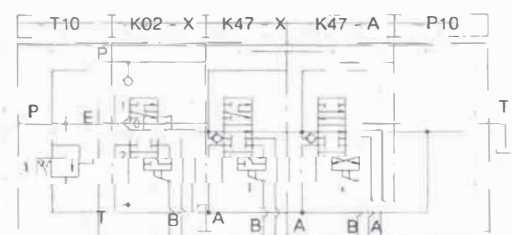
10.8.1 Standard parallel circuit



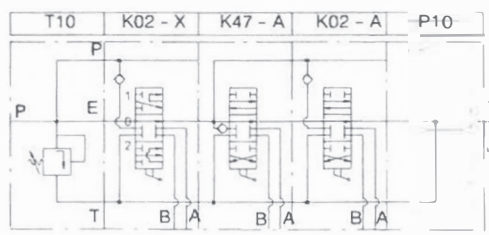
10.8.3 Optional tandem circuit



10.8.2 Optional series circuit



10.8.4 Combined parallel/series circuit



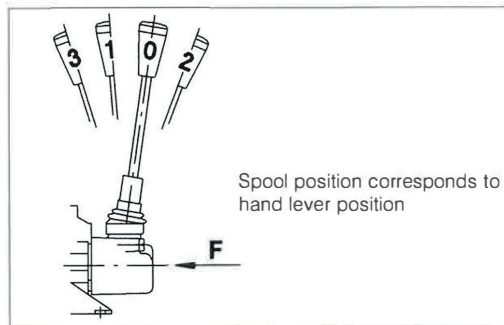
Wegeventile Baureihe HDS (230278)

Distributeurs série HDS

0.9 Spool actions

3	Spool position			Stroke mm	Type	Code
	1	0	2			
○	*	○	7.5	01	200.9686.1002.0	
●	●	○	7.5	02	200.9686.3002.0	
●	●	●	7.5	03	200.9686.2002.0	
	●	●	7.5	05	200.9686.2004.0	
*		○	15	06	200.9686.1004.0	
●	●		7.5	07	200.9686.2007.0	
○	*		7.5	09	200.9686.1011.0	
●		●	15	11	200.9686.2009.0	
○	●	●	7.5	19	200.9686.3008.0	
○	*	○	7.5	24	200.9686.5013.0	
○	*	○	7.5	31	200.9686.1054.0	
○	*	○	7.5	46	200.9686.1076.0	
○	*	○	7.5	47	200.9686.1078.0	
○	*	○	7.5	50	200.9686.5020.0	
○	*	○	7.5	56	200.9686.1086.0	
○	*	○	7.5	83	200.9686.1096.0	
●	○	*	○	5 - 7 - 7	128 200.9686.4009.0	

- * Initial hand lever position
- Hand lever in detent position
- Spring return position of hand lever

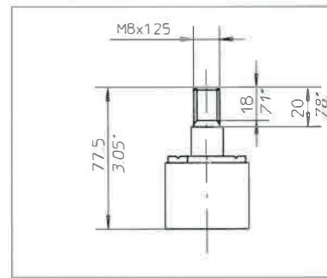
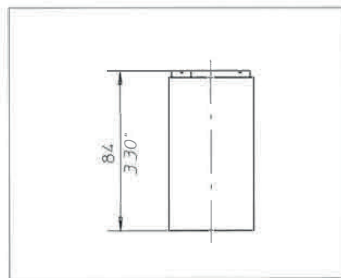
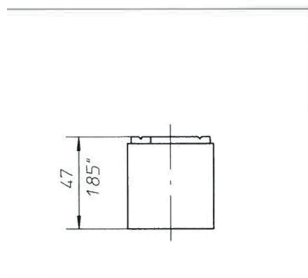


F (N) = force in Newton (N) needed to operate the spool

F (N)	Spool position control type
350	01 (standard)
280	56

Note: consult factory for different configurations.

0.9.1 Spool positioners dimensions



Spool positioners: 01 - 02 - 03 - 05 - 06 07 - 09 - 11 - 19 - 56	Spool positioner: 128 (Z spool type)	Spool positioner: 83
--	---	--------------------------------

0.9.2 Microswitch control

Type 31	Microswitch is operated when the spool is in pos. 1 and 2	
Type 46	Microswitch is operated when the spool is in pos. 1	
Type 47	Microswitch is operated when the spool is pos. 2	

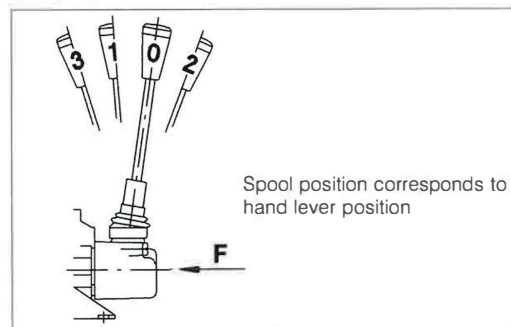
Wegeventile Baureihe HDS (230853)

Distributeurs série HDS

10.9 Spool actions

Spool position				Stroke mm	Type	Code
3	1	0	2			
○	*	○		7.5	01	200.9686.1002.0
●	●	○		7.5	02	200.9686.3002.0
●	●	●		7.5	03	200.9686.2002.0
	●	●		7.5	05	200.9686.2004.0
*		○		15	06	200.9686.1004.0
●	●			7.5	07	200.9686.2007.0
○	*			7.5	09	200.9686.1011.0
●		●		15	11	200.9686.2009.0
○	●	●		7.5	19	200.9686.3008.0
○	*	○		7.5	24	200.9686.5013.0
○	*	○		7.5	31	200.9686.1054.0
○	*	○		7.5	46	200.9686.1076.0
○	*	○		7.5	47	200.9686.1078.0
○	*	○		7.5	50	200.9686.5020.0
○	*	○		7.5	56	200.9686.1086.0
○	*	○		7.5	83	200.9686.1096.0
●	○	*	○	5 - 7 - 7	128	200.9686.4009.0

- * Initial hand lever position
- Hand lever in detent position
- Spring return position of hand lever

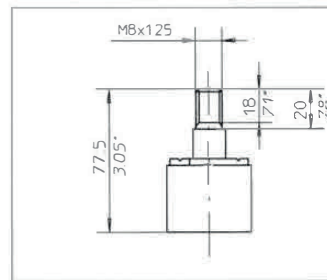
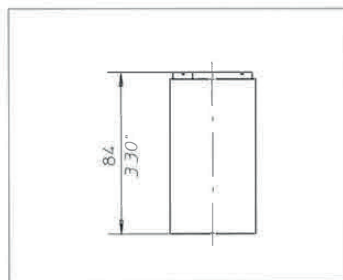
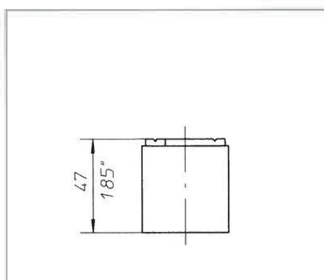


F (N) = force in Newton (N) needed to operate the spool

F (N)	Spool position control type
350	01 (standard)
280	56

Note: consult factory for different configurations.

10.9.1 Spool positioners dimensions



Spool positioners: 01 - 02 - 03 - 05 - 06 07 - 09 - 11 - 19 - 56	Spool positioner: 128 (Z spool type)	Spool positioner: 83
--	---	--------------------------------

10.9.2 Microswitch control

Type 31	Microswitch is operated when the spool is in pos.1 and 2		
Type 46	Microswitch is operated when the spool is in pos.1		
Type 47	Microswitch is operated when the spool is pos.2		

The microswitch is supplied only on customer's request.

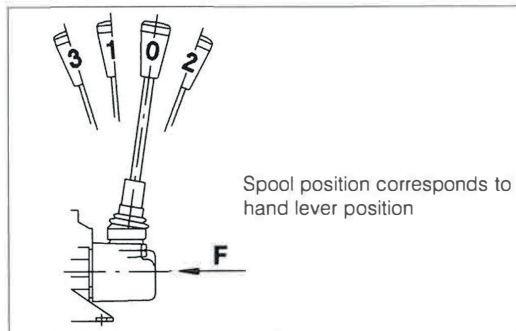
Wegeventile Baureihe HDS (231065)

Distributeurs série HDS

0.9 Spool actions

Spool position				Stroke mm	Type	Code
3	1	0	2			
○	*	○		7.5	01	200.9686.1002.0
●	●	○		7.5	02	200.9686.3002.0
●	●	●		7.5	03	200.9686.2002.0
	●	●		7.5	05	200.9686.2004.0
*		○		15	06	200.9686.1004.0
●	●			7.5	07	200.9686.2007.0
○	*			7.5	09	200.9686.1011.0
●		●		15	11	200.9686.2009.0
○	●	●		7.5	19	200.9686.3008.0
○	*	○		7.5	24	200.9686.5013.0
○	*	○		7.5	31	200.9686.1054.0
○	*	○		7.5	46	200.9686.1076.0
○	*	○		7.5	47	200.9686.1078.0
○	*	○		7.5	50	200.9686.5020.0
○	*	○		7.5	56	200.9686.1086.0
○	*	○		7.5	83	200.9686.1096.0
●	○	*	○	5 - 7 - 7	128	200.9686.4009.0

- * Initial hand lever position
- Hand lever in detent position
- Spring return position of hand lever

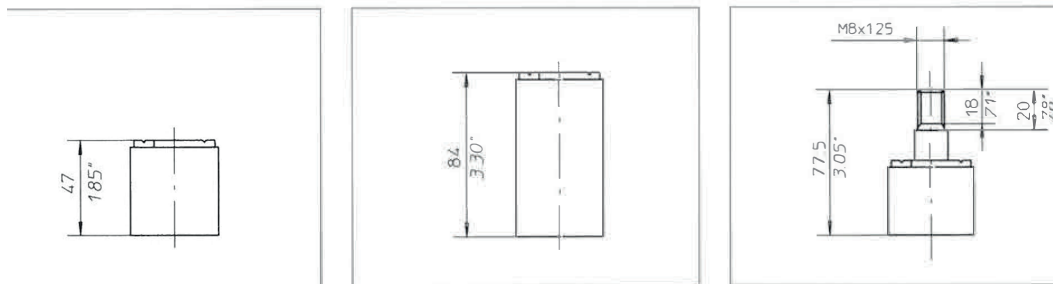


F (N) = force in Newton (N) needed to operate the spool

F (N)	Spool position control type
350	01 (standard)
280	56

Note: consult factory for different configurations.

0.9.1 Spool positioners dimensions



Spool positioners: 01 - 02 - 03 - 05 - 06 07 - 09 - 11 - 19 - 56	Spool positioner: 128 (Z spool type)	Spool positioner: 83
--	---	--------------------------------

0.9.2 Microswitch control

Type 31	Microswitch is operated when the spool is in pos. 1 and 2	
Type 46	Microswitch is operated when the spool is in pos. 1	
Type 47	Microswitch is operated when the spool is pos. 2	

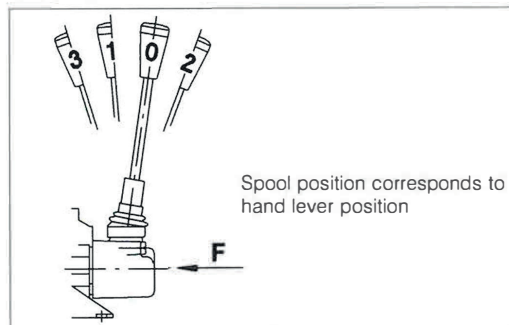
Wegeventile Baureihe HDS (231066)

Distributeurs série HDS

10.9 Spool actions

Spool position				Stroke	Type	Code
3	1	0	2	mm		
○	○	*	○	7.5	01	200.9686.1002.0
●	●	●	○	7.5	02	200.9686.3002.0
●	●	●	●	7.5	03	200.9686.2002.0
		●	●	7.5	05	200.9686.2004.0
*			○	15	06	200.9686.1004.0
●	●			7.5	07	200.9686.2007.0
○	*			7.5	09	200.9686.1011.0
●		●		15	11	200.9686.2009.0
○	●	●		7.5	19	200.9686.3008.0
○	*	○		7.5	24	200.9686.5013.0
○	*	○		7.5	31	200.9686.1054.0
○	*	○		7.5	46	200.9686.1076.0
○	*	○		7.5	47	200.9686.1078.0
○	*	○		7.5	50	200.9686.5020.0
○	*	○		7.5	56	200.9686.1086.0
○	*	○		7.5	83	200.9686.1096.0
●	○	*	○	5 - 7 - 7	128	200.9686.4009.0

- * Initial hand lever position
- Hand lever in detent position
- Spring return position of hand lever

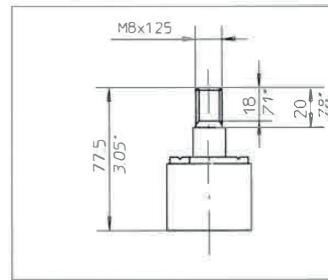
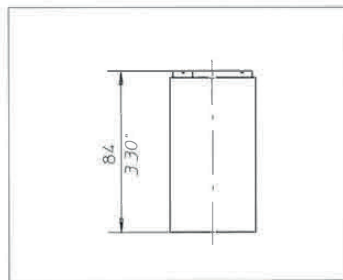
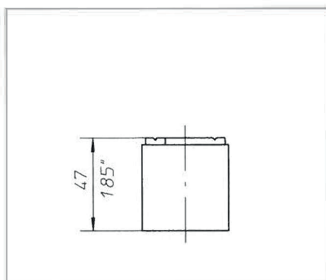


F (N) = force in Newton (N) needed to operate the spool

F (N)	Spool position control type
350	01 (standard)
280	56

Note: consult factory for different configurations.

10.9.1 Spool positioners dimensions



Spool positioners: 01 - 02 - 03 - 05 - 06 07 - 09 - 11 - 19 - 56	Spool positioner: 128 (Z spool type)	Spool positioner: 83
--	---	--------------------------------

10.9.2 Microswitch control

Type 31	Microswitch is operated when the spool is in pos.1 and 2	
Type 46	Microswitch is operated when the spool is in pos.1	
Type 47	Microswitch is operated when the spool is pos.2	

The microswitch is supplied only on customer's request.